

# LED module - SKU7493



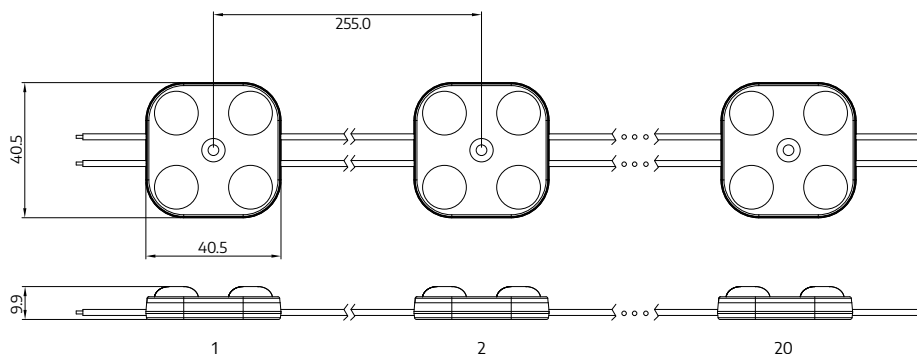
13-30 cm

3D letters, lightboxes



- luminous efficacy 115 lm/W
- premium quality
- built-in heat sink plate
- for indoor and outdoor use
- 20 pcs in chain

## DIMENSIONS



# LED module - SKU7493



## TECHNICAL SPECIFICATION

Parameter	Value
Rated voltage	24 V DC
Power consumption per module	1,92 W
Chain power consumption	38,4 W
Current consumption per module	80 mA
LED diodes	San'an led - 2835
Quantity of LEDs	4
Light color	X = W - white (7000K) X = WW - warm white (3000K) X = NW - neutral white (4000K) X = CW - cold white (10000K)
Flux	220 lm
Flux density	115 lm/W
Color rendering index CRI	≥80 (on request ≥90, ≥95)
Beam angle	170°
Current stabilization	Yes
Dimming	Yes
Module dimensions (L × W × H)	41 × 41 × 10 mm
Cable length	215 mm
Number of modules in 1 m	3,9
Box weight	13,6 kg
Montage	Adhesive tape / mounting screw
Lifetime	L70B50 > 50000h
Working temperature	-25°C ... +55°C
IP protection	IP67
Warranty	7 years

# LED module - SKU7493



## CONNECTION DIAGRAM

One-side power input



Maximum number of modules 20 pcs

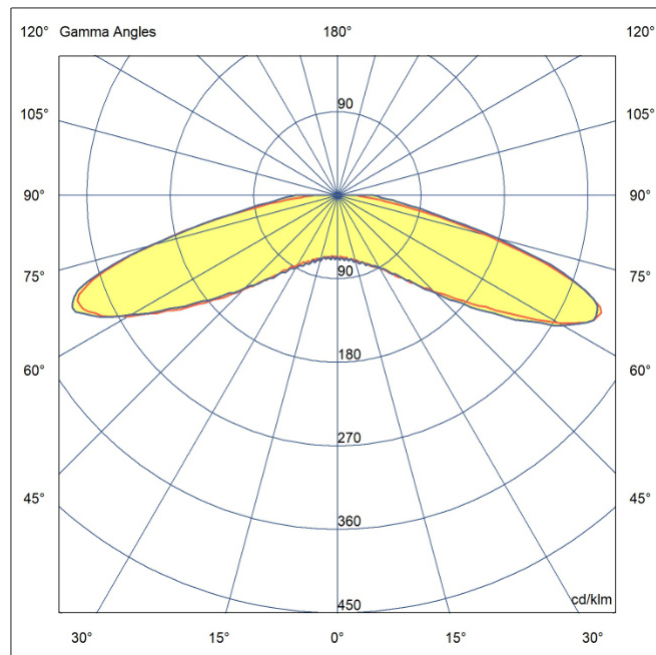
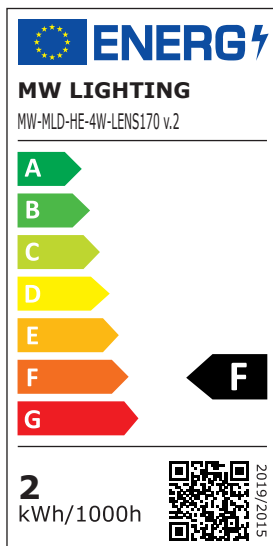
Two-side power input



Maximum number of modules 40 pcs

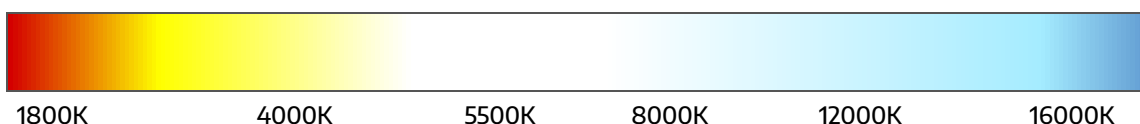
It is acceptable to connect multiple chains in parallel, as long as the power supply provides sufficient power.

## ENERGY LABEL / BEAM ANGLE



## LIGHT COLOR / CCT

Abbreviation	Light color	CCT
WW	warm white	~3000K
NW	neutral white	~4000K
W	white	~7000K
CW	cold white	~10000K

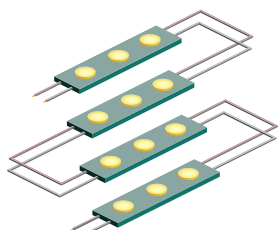


# LED module - SKU7493

---



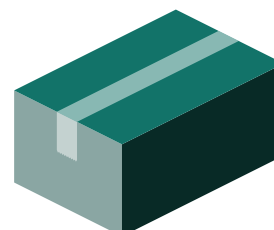
## PACKING



Chain  
**20 pcs**



Bag  
**60 pcs**



Box  
**600 pcs**